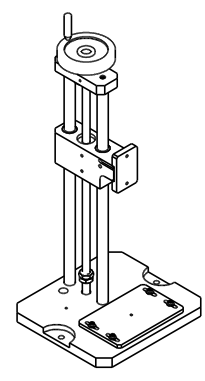


1 2 3 4

BATI MANUEL BAT1000/ MANUAL TEST STAND

CAPACITY: 1000N [200lbs]
TRAVEL WITH CENTOR: 300mm [11.81"]
SCREW PITCH: 2.54mm/Rev [1/10"/Rev]
WEIGHT: 7.5kg [16.5lbs]



A

A

B

B

C

C

D

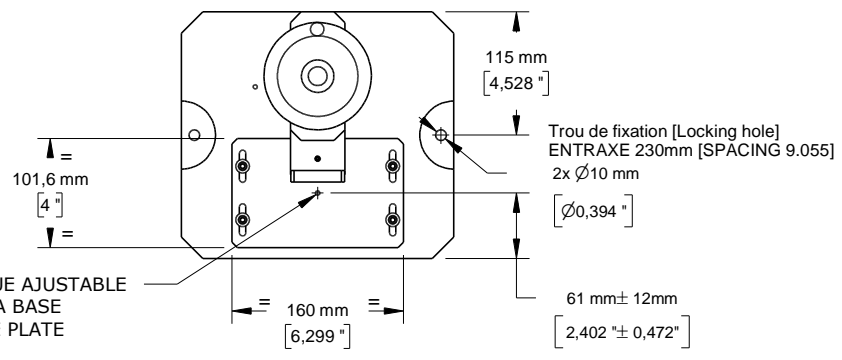
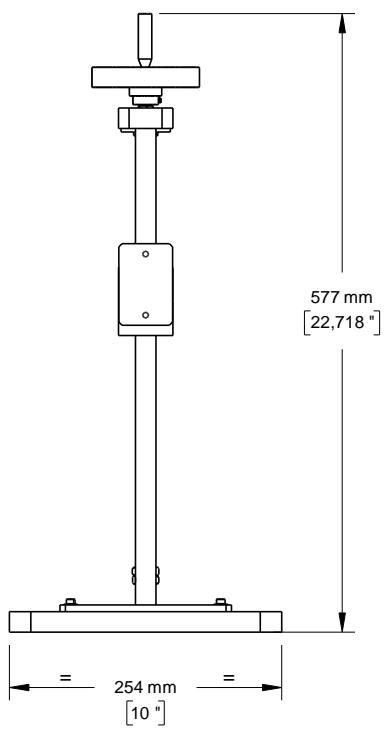
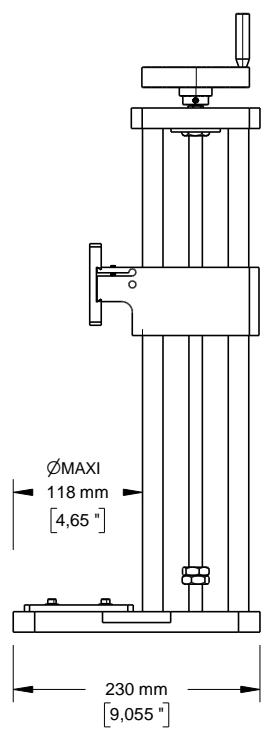
D

E

E

F

F



M5 TRAVERSANT SUR LA PLAQUE AJUSTABLE
 OU 1/2-20 TRAVERSANT SUR LA BASE
 [M5 THRU ON THE ADJUSTABLE PLATE
 OR 1/2-20 THRU ON THE BASE]

Drawn name:		Assembly name:	
DIMENSIONS		Assembly BAT1000	
Date of creation:		11/12/2013	

Rev:	Date:	Description:	Drawn by:	Item:	Ref assembly:
1	13/01/2014	ORIGINE			BAT1000

1 2 3 4