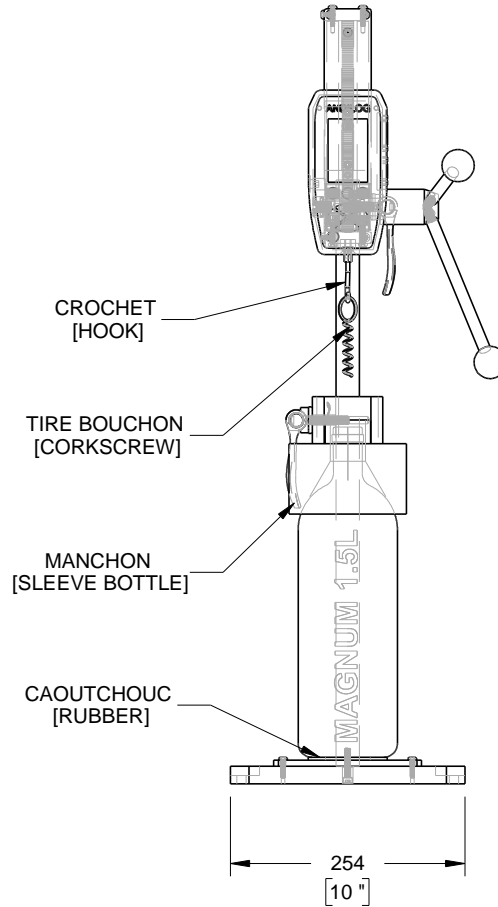
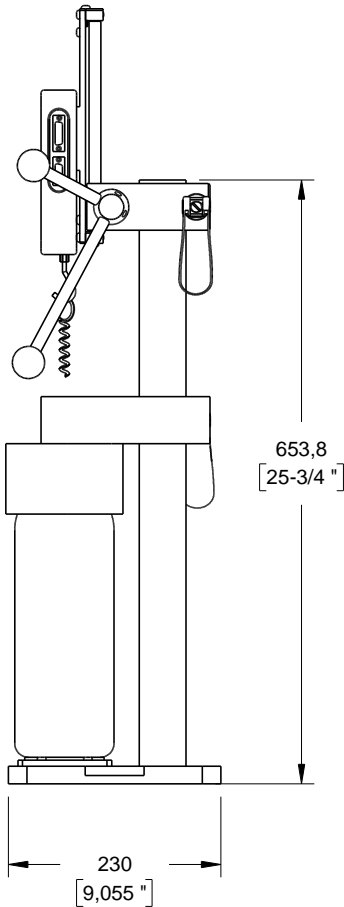
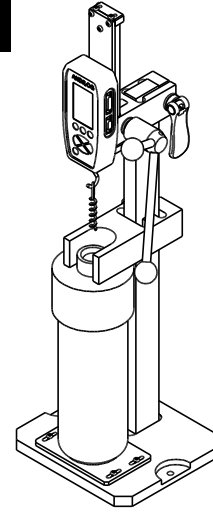


# Cork extractor--Extractor II

**CAPACITY:** 2224N [500lbs]  
**TRAVEL:** 177.8mm [7"]  
**TRAVEL /CRANCK REV. :** 100mm/REV.[3.15"/REV.]  
**MAXIMUM HEIGHT WITH CENTOR:** 546mm [21-1/2"]  
**WHEIGHT WHITHOUT CENTOR:** 9.5kg [21lbs]

**BOTTLE SIZE MAX**  
**DIAMETER:** 152.4mm [6"]  
**HEIGHT:** 368.3mm [14-1/2"]  
**NECK (OD):** 35mm [1-3/8"]



Drawn name: FICHE PRODUIT Assembly name: Cork extractor--Extractor II

ANDILOG COM-TEN Date of creation: 28/01/2014  
Technologies  
INDUSTRIES

Rev:	Date:	Description:	Drawn by:	Item:	Ref assembly:
1	28/01/2014	ORIGINE	Clint ARNOULD		Cork extractor--Extractor II