



SPRINGTEST T I

Spring tester



High capacity manual spring tester

The SPRINGTEST T I series is a very simple and economical system for checking compression springs in one point. The force gauge gives the force applied, the displacement sensor on the side shows the flexion or height measured under load. With its revolving hand crank, it is designed to perform tests from low capacity (2 lb) to high capacity (500lb) with quick results. The

manual test stand features a small footprint, durable design, portable and a optional a digital travel display. Combined with our Centor force gauges, the SPRINGTEST T I can measure any compression spring in production or laboratory for an affordable price. The parallelism of the lower plate can be adjusted to ensure correct seating for the spring.

System includes:

- Manual test stand TEX555
- Force gauge Centor Easy with internal sensor up to 200lb or external sensor for the 500 lb version
- Digital ruler length 6 in

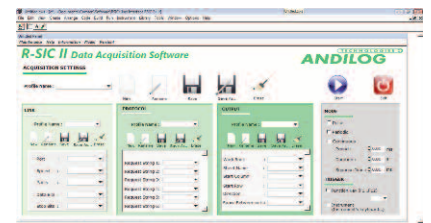
- Compression plate diameter 2 in
- Self-levelling plate diameter 3 in
- Certificate of calibration traceable to NIST

Options - Softwares

CALIGRAPH software compatible: Data acquisition and analysis of curves with real time graphing thru RS232 or USB.



RSIC software compatible : Download your results to Microsoft Excel using your RS232 comport.



Models & capacities

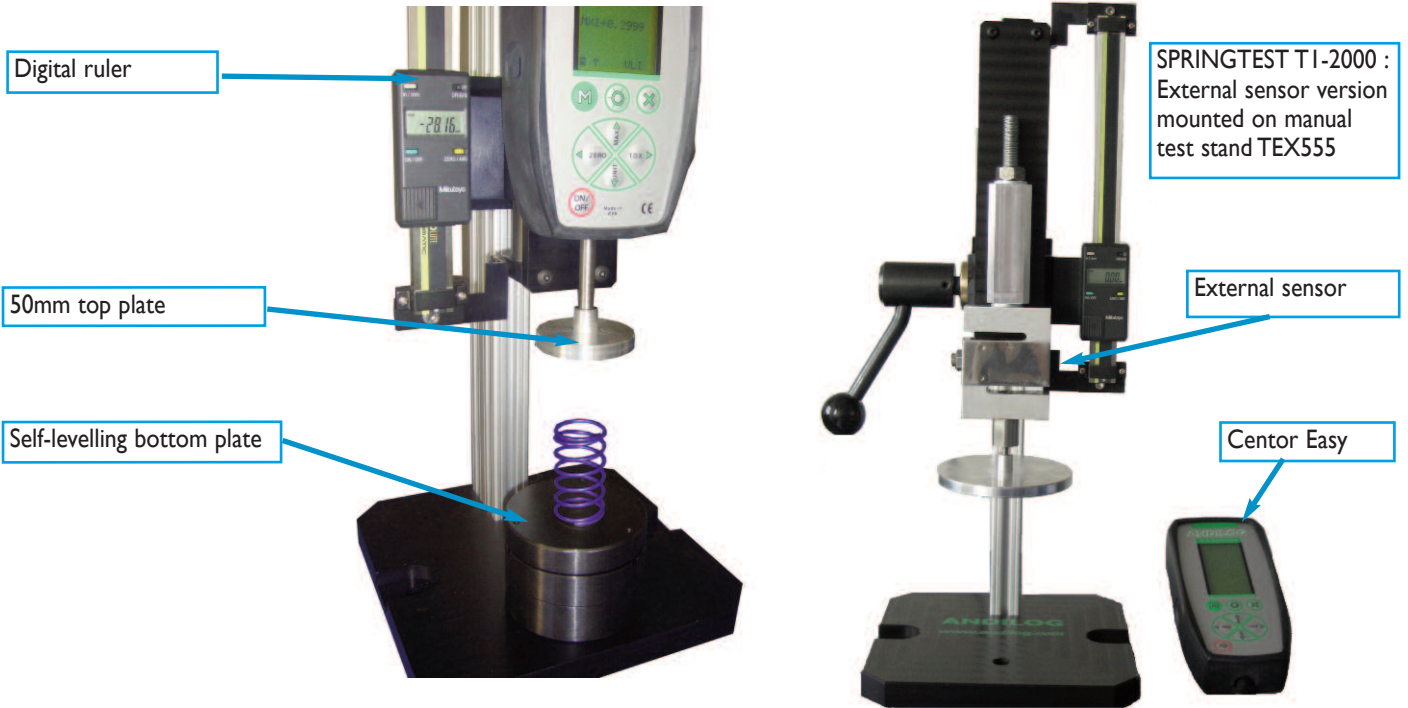
SPÉCIFICATIONS	SPRINGTEST T I-100	SPRINGTEST T I-500	SPRINGTEST T I-1000	SPRINGTEST T I-2000
Capacity	0 - 20 lb	0 - 100 lb	0 - 200 lb	0 - 500 lb
Accuracy	0.02 lb	0.1 lb	0.2 lb	0.5 lb
Force resolution	0.002 lb	0.01 lb	0.02 lb	0.05 lb
Travel	6 in	6 in	6 in	6 in
Displacement resolution	0.01 in	0.01 in	0.01 in	0.01 in

Specifications

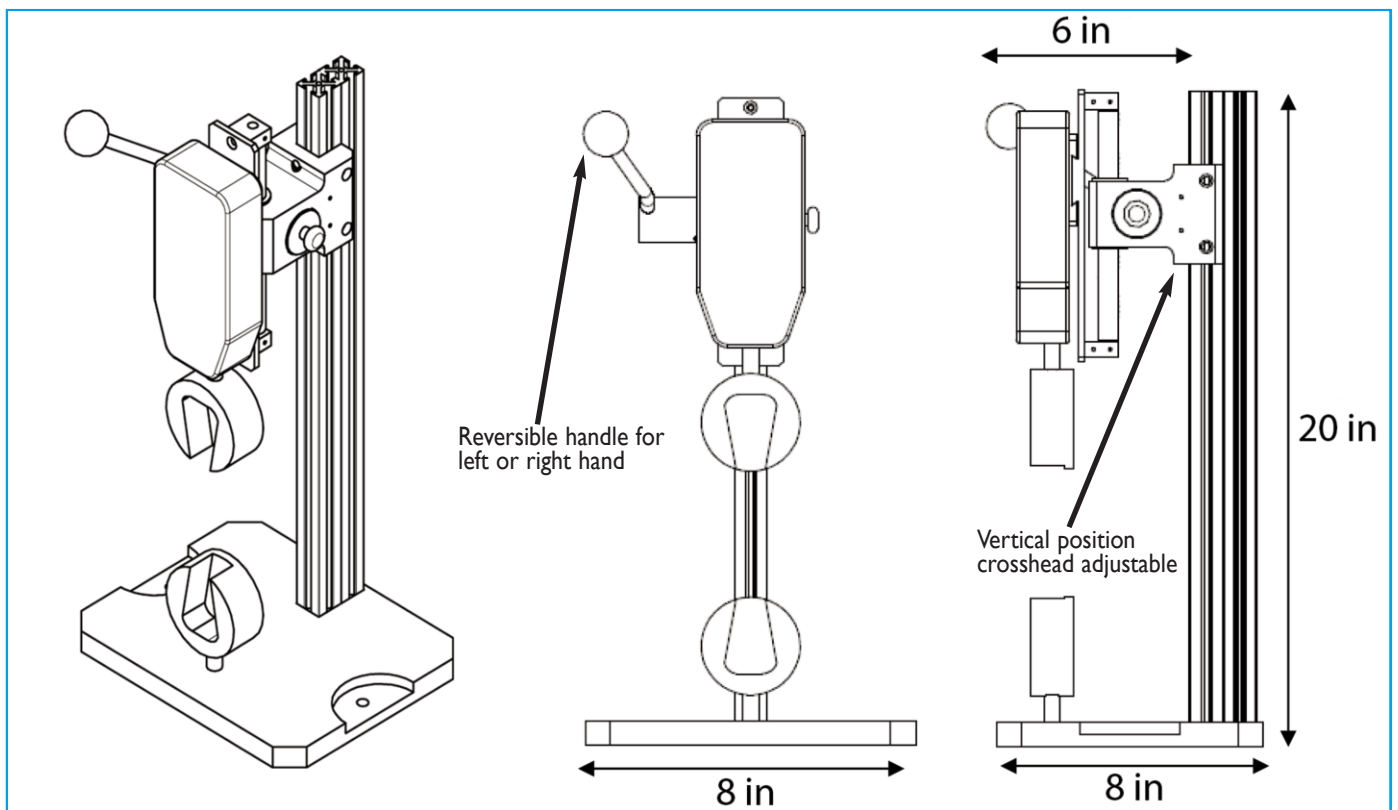
FEATURES	SPRINGTEST T I	FEATURES	SPRINGTEST T I
Accuracy	0,1 % FS	RS232 output	Send current reading,, peak or minimum
Resolution	1/10 000 FS	Fast charge	✓
Display peak and current reading in the same time	✓	Reversible display	✓
Units	N, Lb, Kg, g, Oz	Digimatic output	✓
Bargraph	✓	Backlit display	✓
Sampling rate	1 000 Hertz	Sensor protected from overloads up to 200% of its capacity	✓
Tare	✓	Operates on rechargeable batteries	✓
Auto-off	Adjustable from 5 to 15 min	Operation without recharging	8 hours
Force limit	✓	Metal casing	✓
Average and standard deviation	✓	Protective elastomer overmould	✓
Low battery indicator	✓	Power supply	110V / 220V
Peak in tension and compression	✓		
Memory for setup	✓		

SPRINGTEST TI Spring tester

COM-TEN
INDUSTRIES



Dimensions



Certified ISO
9001:2008

COM-TEN Industries

6405 49th Street North
Pinellas Park, FL, 33781 - USA

sales@com-ten.com • www.com-ten.com
Tel. : +1 727-520-1200 • Fax : +1 727-520-0299