

# Torque Gauge Centor Easy Torque Wrench

TECHNOLOGIES  
**ANDILOG**

## A portable Torque gauge for your daily control

The Torque Gauge **Centor Easy** model with its torque wrench based on strain gauges technology is ideal for onsite measurements. Thanks to its square male output, it is easy to adapt to different tips and all type of samples : screws, nuts, handles...

The torque gauge is designed to answer to the daily requirements of groups production users. It requested by all the technical features request quality control: easy to read thanks to its large backlight screen, RS232 output, memory of the 100 latest values and a programmable noise limit. Thanks to the high-performance of its electronic the sampling rate is optimize to 1000Hz and has a resolution of 1/10000 FS.

A statistics feature is available on the Centor EASY: the average and standard deviation of the current batch are calculated and displayed after each measurement. All the values of the produc-

tion batch are kept in the memory and can be sent to a computer using the RS232. The operator is spared any data entry, knows his results in real time and saves everything at the end of the tests.

**Optimized for industrial environment, it is an ideal tool for tests during production.**



## Statistics

Statistics feature with automatic calculation of the average and standard deviation on 100 values in the memory.

MES / ECH	3
OPER	01
Unite	N
STATS	MXI
Nbech	002
Moy	12.33
001	12.334
001	12.332
001	12.331
002	12.335
002	12.334
002	12.330

## Models and capacities

MODELS	CAPACITY	ACCURACY	RESOLUTION
CNR EA TW 15	15 Nm	0,075 Nm	1,5 mNm
CNR EA TW 60	60 Nm	0,3 Nm	6 mNm
CNR EA TW 150	150 Nm	0,75 Nm	15 mNm

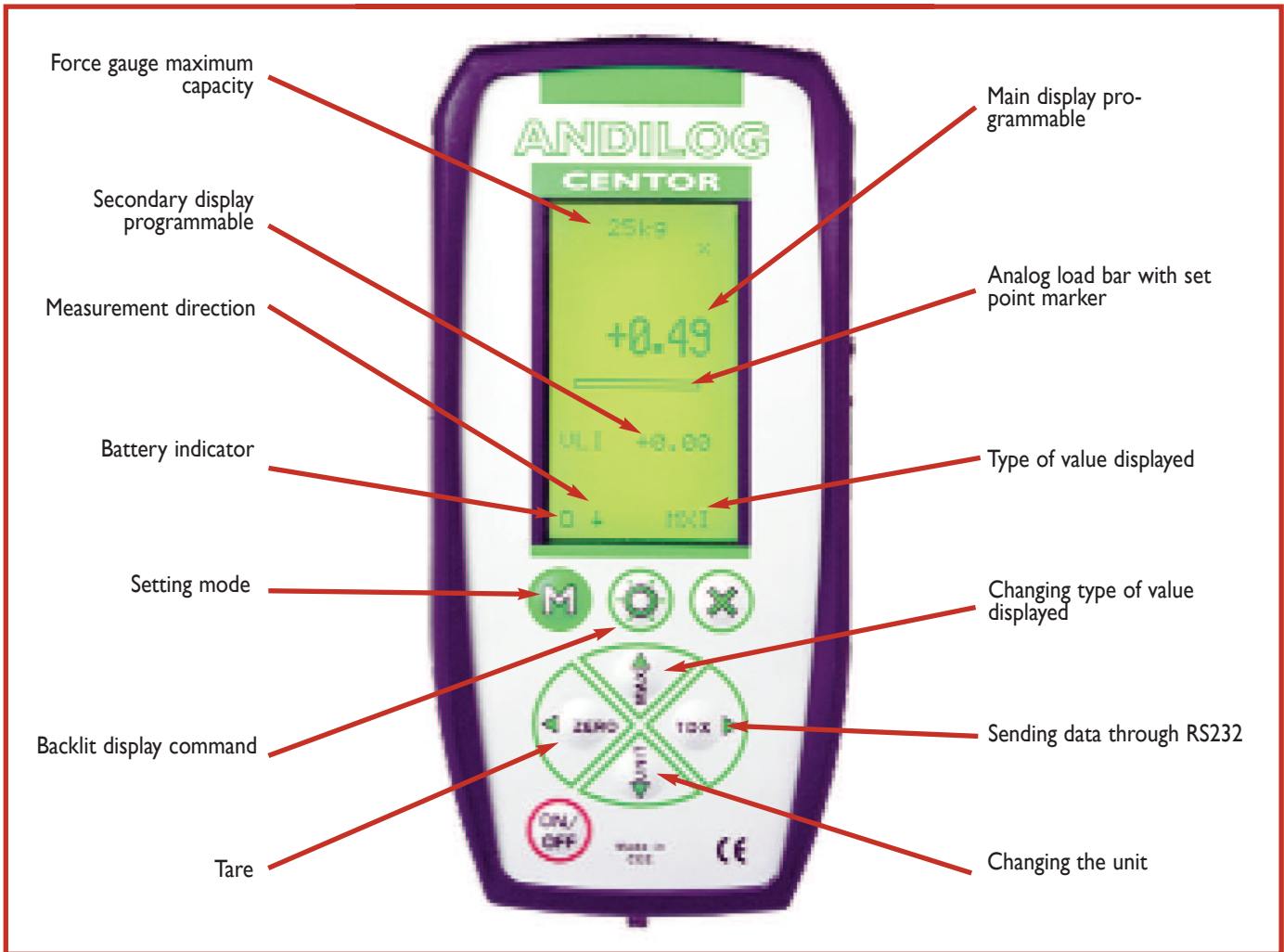
## Specifications

FEATURES	CENTOR EASY TW	FEATURES	CENTOR EASY TW
Accuracy	0,5 % FS	Internal memory	100 results
Resolution	1/10,000 FS	Reversible display	180°
Data acquisition rate	1,000 Hz	Operates on rechargeable batteries	√
Overload protection	200% FS	8 hours of operation without recharging	√
Units	Nm, kgcm, mNm, lbin	Fast charge	√
Auto-off	Adjustable from 5 to 15 min	Low battery indicator	√
Bargraph	√	Metal casing and protective overmould	√
Clockwise and counterclockwise peak	√	RS232 output	Current value, min or max
Simultaneous display of peak and current reading	√	Data rate	50 values per second
Use of a Foot pedal	√	Digimatic output	√
Tare function	√	Analogic output	+/- 1V
Programable set point	√	Backlit display	√
Statistics	√		

# Torque Gauge Centor Easy Torque Wrench



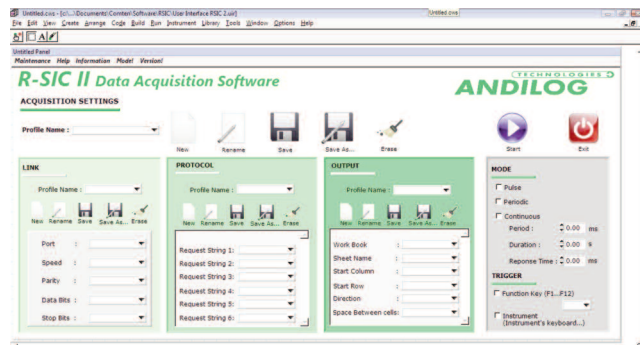
## Operating mode



## Options - software



Compatible with CALIGRAPH software: curve acquisition and reporting software for computer. Connects your Centor to CALIGRAPH to achieve in real time the acquisition of your measurements and allow recording of your values on your computer.

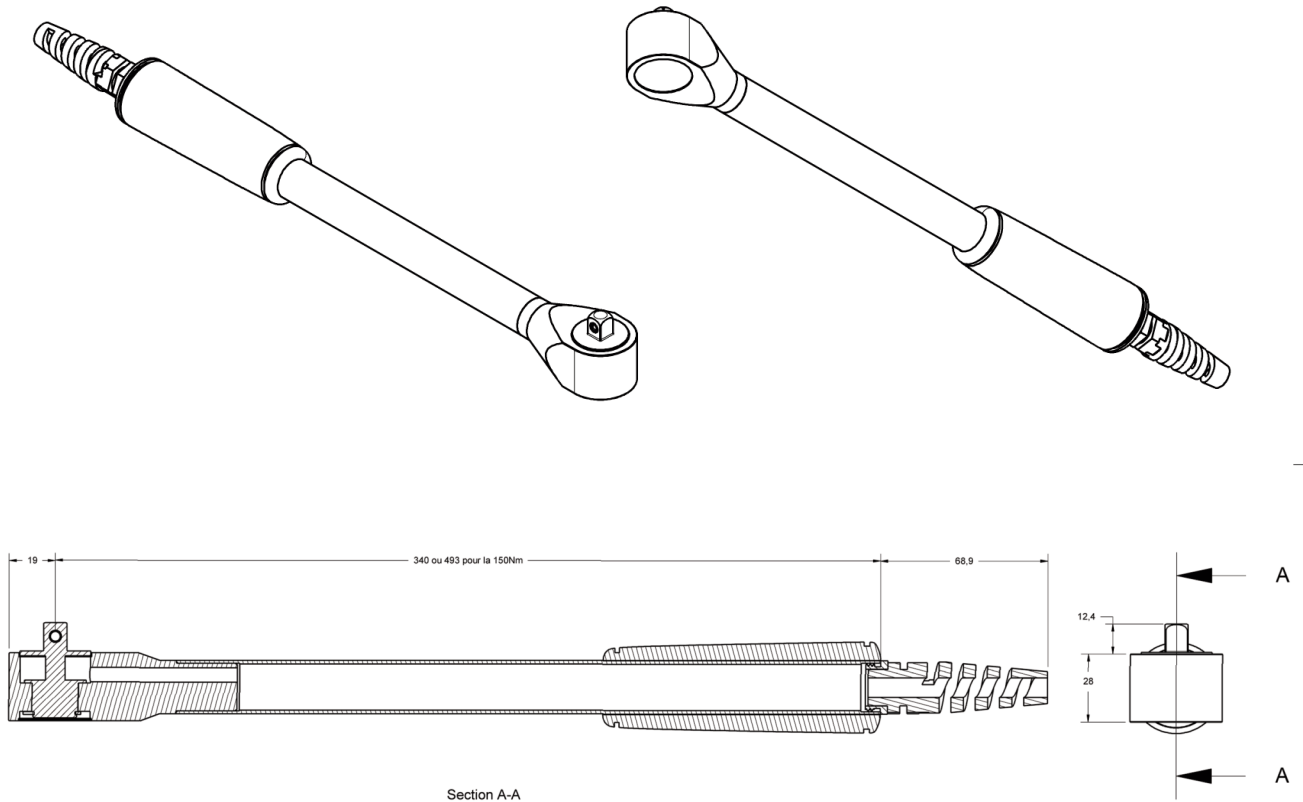


Compatible with RSIC software: saves your data on an Excel sheet directly through RS232. Allow real time communication as well as unloading the calculation values recorded in the Centor.

# Torque Gauge Centor Easy Torque Wrench

TECHNOLOGIES   
**ANDILOG**

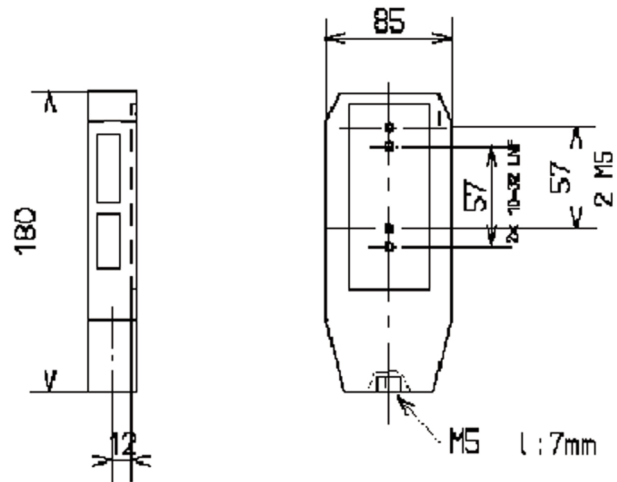
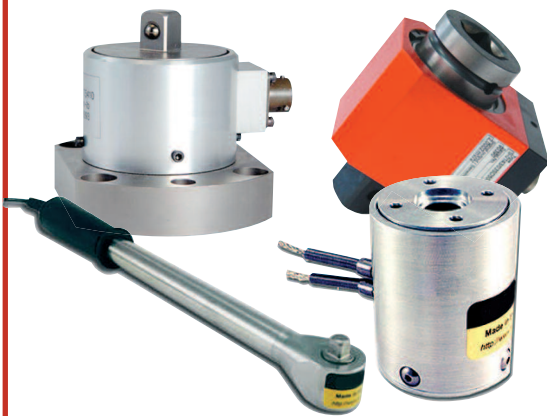
## Dimensions



## Options - sensors

## Housing dimensions

In option, we have a large variety of sensors in order to comply with your dimensions and applications. Feel free to contact us.



TECHNOLOGIES   
**ANDILOG**

 **ISO 9001:2008 certified**

**ANDILOG Technologies**

BP 62001

13845 Vitrolles Cedex 9, FRANCE

info@andilog.com • www.andilog.com

Phone : +33 (0) 820 888 202 • Fax : +33 (0) 820 888 902